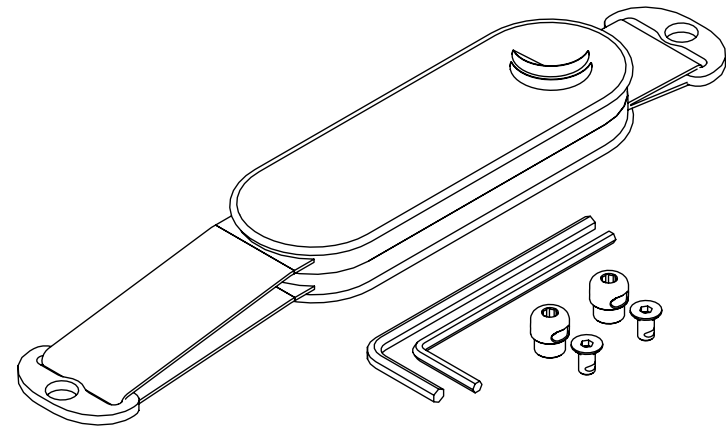


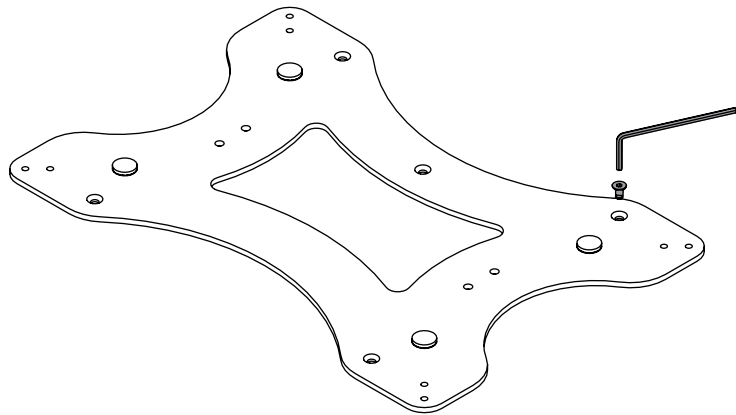
SPOS105

Installation Guide

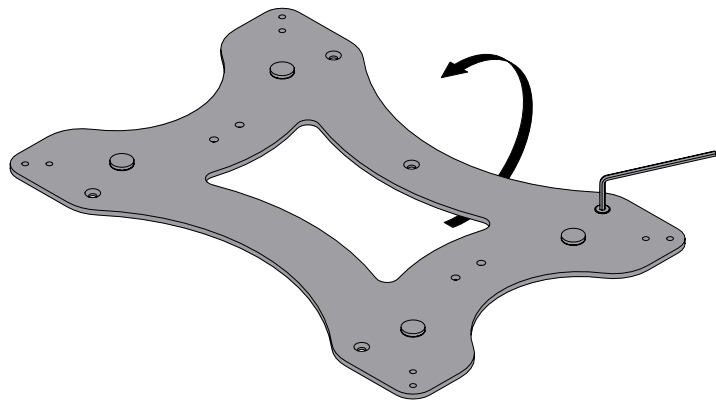


Mounting Hand strap

- 1 Insert M3 screw into hardware mount*



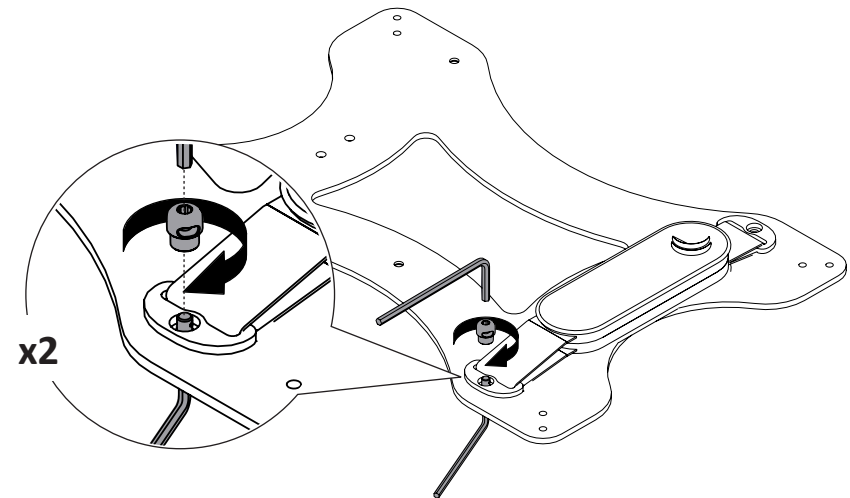
- 2 Flip hardware mount*



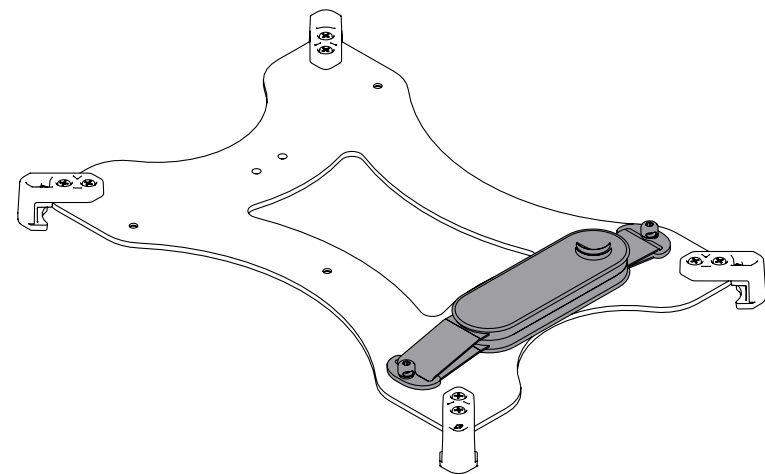
*SpacePole Vario™ is used for illustration

Mounting Hand strap

- 3 Attach hand strap*



- 4 Hand strap installed on hardware mount*



*SpacePole Vario™ is used for illustration